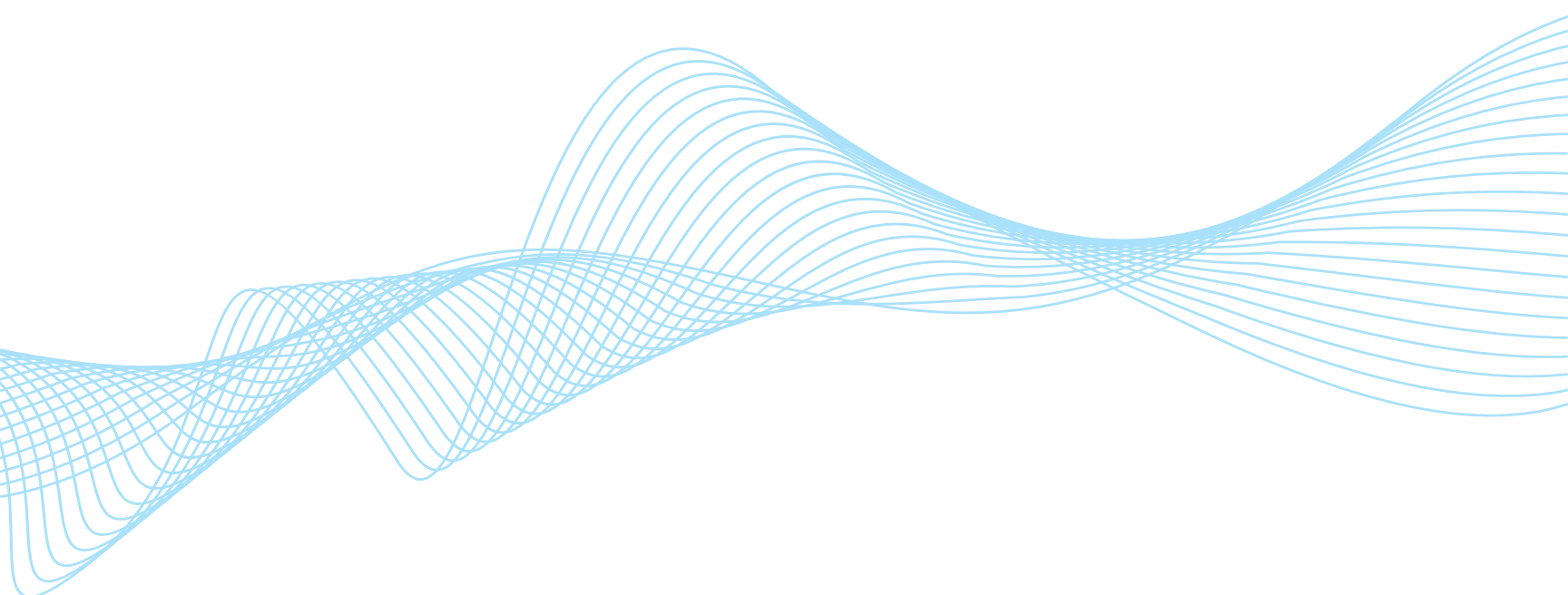


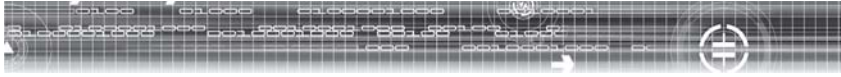
DC Digital Panel Meter

24x48	24x96	48x96	
96x96	72x144		



Ziegler

Redefine Innovative Metering



DC Digital Panel Meter

24 x 48	DC Ammeter DC Voltmeter for multirange direct current voltage measurement
24 x 96	
48 x 96	
96 x 96	
72 x 144	



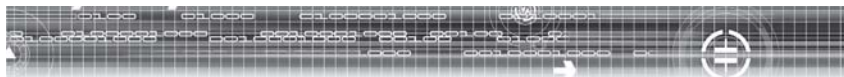
The DC Digital Panel Meter come in 5 standard sizes 24x48, 24x96, 48x96, 96x96, 72x144mm.
The DC DPM's are designed for industrial applications which require precise and onsite adjustment for display ranges.

GENERAL FEATURES:

APPLICABLE STANDARDS	
Performance standard for direct acting instrument	DIN EN60051
Digital Measurement	DIN 43 751
Device Safety	IEC 61010
Protection Class (Front Facia)	IP 20 IEC 60529 IP 54 (IP 54 on request)
Safety Class	II according to IEC 348/ VDE 0411
Climatic Class	Class 2 VDE / DIN 3540
EMC Immunity	DIN EN 61000-4-1 to 4
EMC Radiated Interference	DIN EN 50081 Class B

FACT SHEET:

Casing Details	Moulded case suitable for mounting in control / switchgear panels, machinery console
Case Material	Glass filled polycarbonate, Flame retardant & drip proof as per UL 94 V0
Front Facia	Glass-polycarbonate (RED transparent)
Color of Bezel	Black
Position of use	Vertical
Panel Fixing	Metal side clamps / snap in
Panel thickness	≤40mm
Terminals	Plug-in screw terminal block
Display Type	Bright RED seven segment LED
Display Count	1999 ¹
Negative display indication	"-"
Overload indication	Last 3 digits blank
Setting Time	<1sec. (0...99%)
ISOLATION:	
DC voltage version	1kV
AC voltage version	2kV
AMBIENT CONDITIONS:	
Operating Temp.	0...50°C
Storage Temp.	-40°C...80°C



Ziegler

Redefine Innovative Metering

TECHNICAL SPECIFICATIONS:

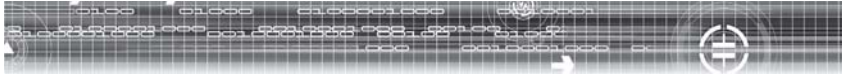
Model	24x48D	24x48F	24x96S	48x96A 96x96A 72x144A 72x144AN	48x96B 96x96B 72x144B 72x144BN	48x96C 96x96C 72x144C 72x144CN	48x96F 96x96F
Measured Qty	Voltage/ Current	Voltage	Voltage/ Current	Current	Current	Voltage	Voltage
Measurement Range Direct Voltage	10V 0...1mA 0...20mA 4...20mA	0...0.2V 0...2V 0...20V	0...0.2V, 0...1V, 0...5V, 0...25V, 0...100V, 0...300V, 0...1mA, 0...20mA, 0...200mA, 4...20mA	0...2mA 0...20mA 0...200mA	0...20mA 4...20mA	0...60mV 0...75mV 0...150mV	0...2V 0...20V 0...200V 0...500V 0...1000V
Range selection by	Positioning DIP switches.		Selectable by using jumpers at the back	Input choice			
Range adjustment span	From 10% to 100% of range		From 20% to 100% of range	From 10% to 100% of range			
Zero offset (suppression)	-	-	upto -1000	-			
Accuracy	<0.2% + 1D			<0.1% + 1D			<0.2% + 1D
Decimal point position	Programmable, settable by DIP switch		Selectable by rear jumper position ³				
Digit Height	8mm / 7- segment digits		14mm / 7 - segment digits ²				
Temperature coefficient	100 ppm / C, plus						
Zero point drift	200 ppm / °C		100 ppm / °C				
Interference voltage suppression	>40dB		-				

DIMENSIONS & WEIGHTS :

Bezel size	24x48mm DIN 43718	96x24mm DIN 43718	96x48mm DIN 43718
Panel Cutout	45 + 0.6mm x 22.2 + 0.3mm	92 + 0.8mm x 22.2 + 0.3mm	92 + 0.8mm x 43.5 + 0.6mm
Overall depth	69mm	72mm	138mm
Weight	<50g.	210g approx (5V DC version 90g.)	500g. approx.

POWER SUPPLY :

Direct voltage DC	5V +/- 10%	
	12V +/- 10 %	
	24V (21...30 VDC)	
	48V +/- 10 %	
	- 110V +/- 10 %	
Alternating voltage AC	- 24V +10%, -15%	
	110V + 10% -15%	115V + 10% -15%
	- 230V + 10% -15%	



Ziegler

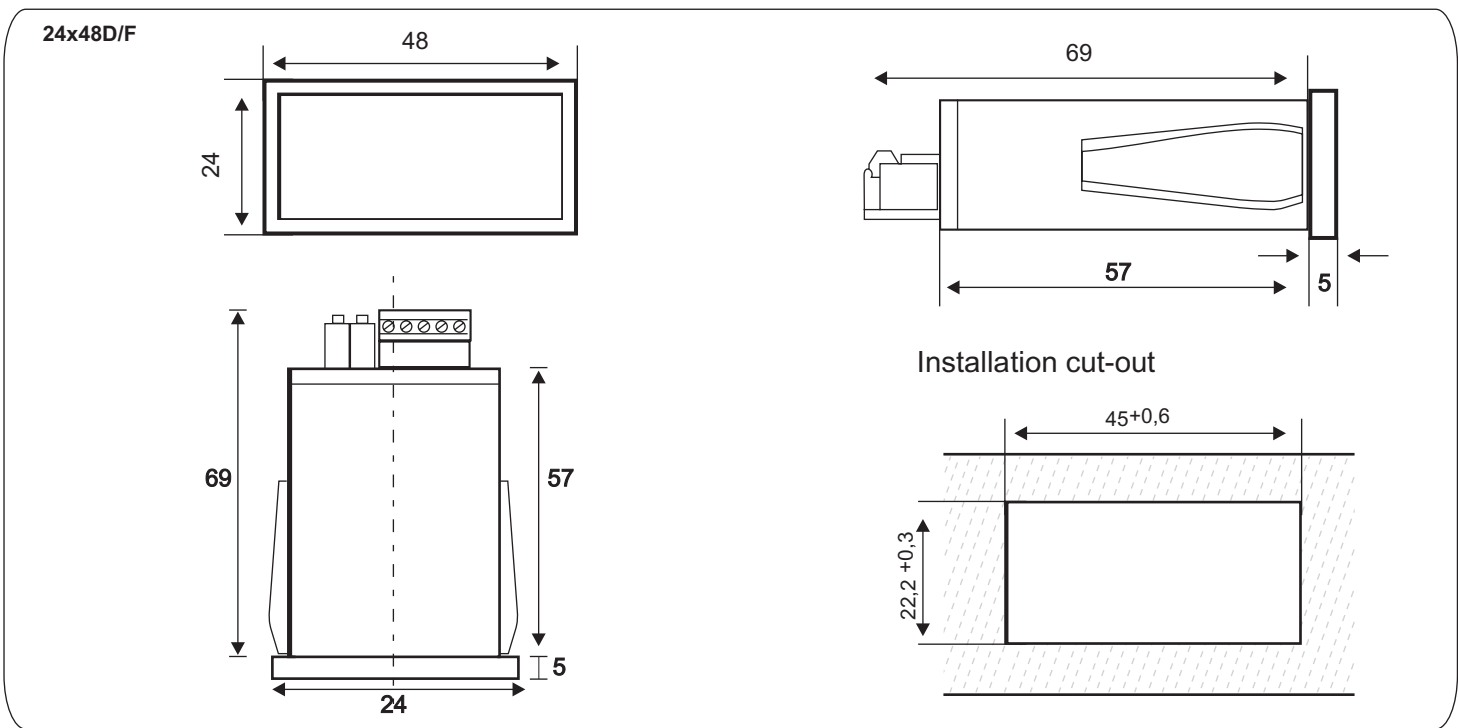
Redefine Innovative Metering

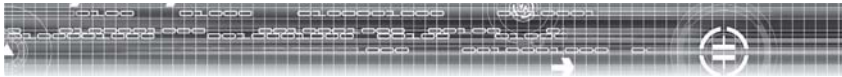
Model	24x48D	24x48F	24x96S	48x96A 96x96A 72x144A&N	48x96B 96x96B 72x144B&N	48x96C 96x96C 72x144C&N	48x96F
Power Consumption	1.2 W approx. (isolated)		110 V DC / 48 V DC : 5.5W 24V DC (21 ... 30 V DC)/12 V DC / 5 V DC : 4 W / 230V / 110V : 2 W	max 5.5W approx (isolated)			

Note :

- 1) 4 ½ Digit DPM - display range 19999
- 2) On request 20 mm display height available
- 3) For 48x96 Size decimal point is selected by external wires
- 4) For 24x48 DPM only AC Aux possible

DIMENSIONAL DRAWINGS:

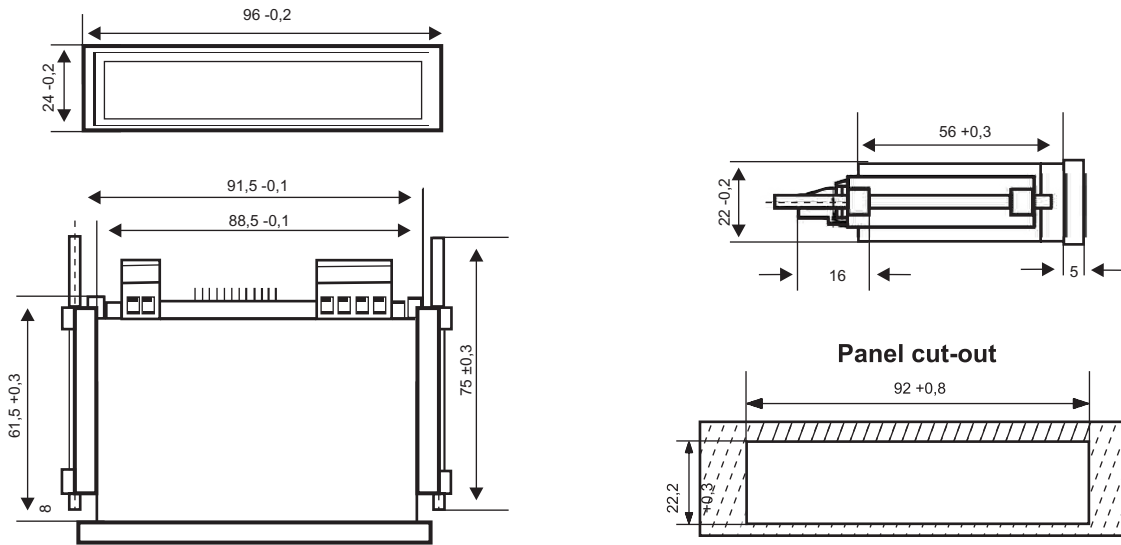




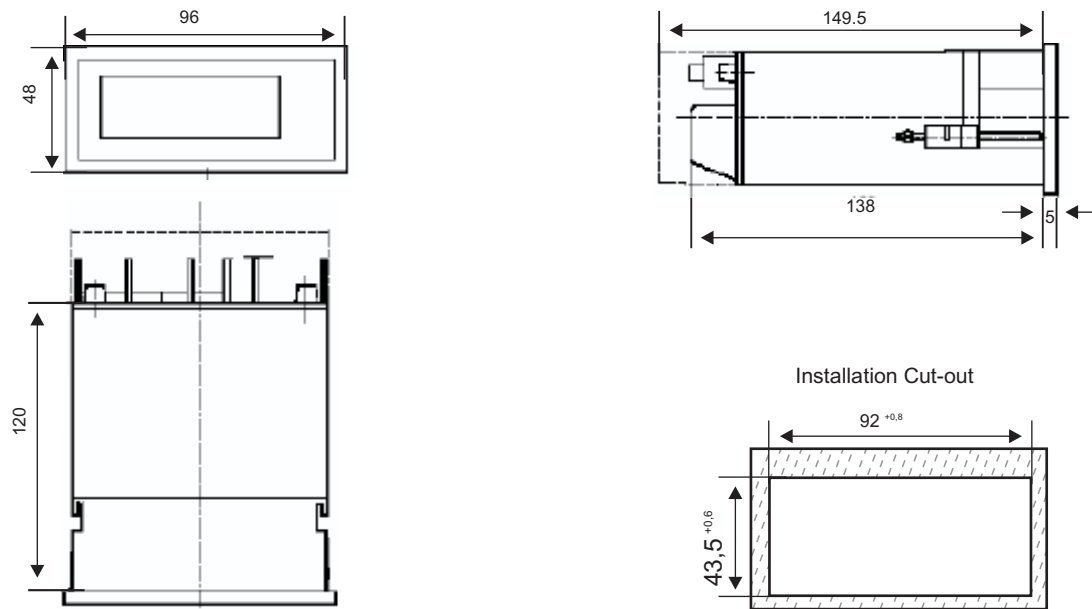
Ziegler

Redefine Innovative Metering

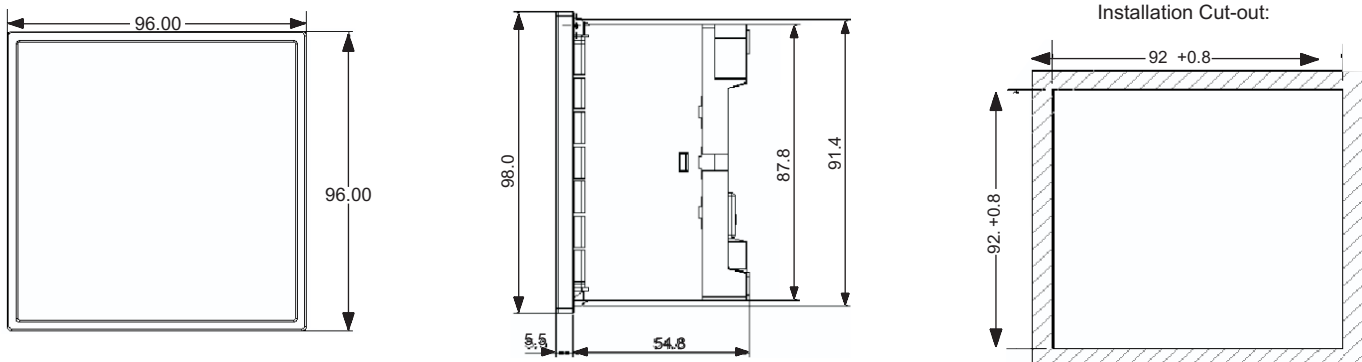
24x96S

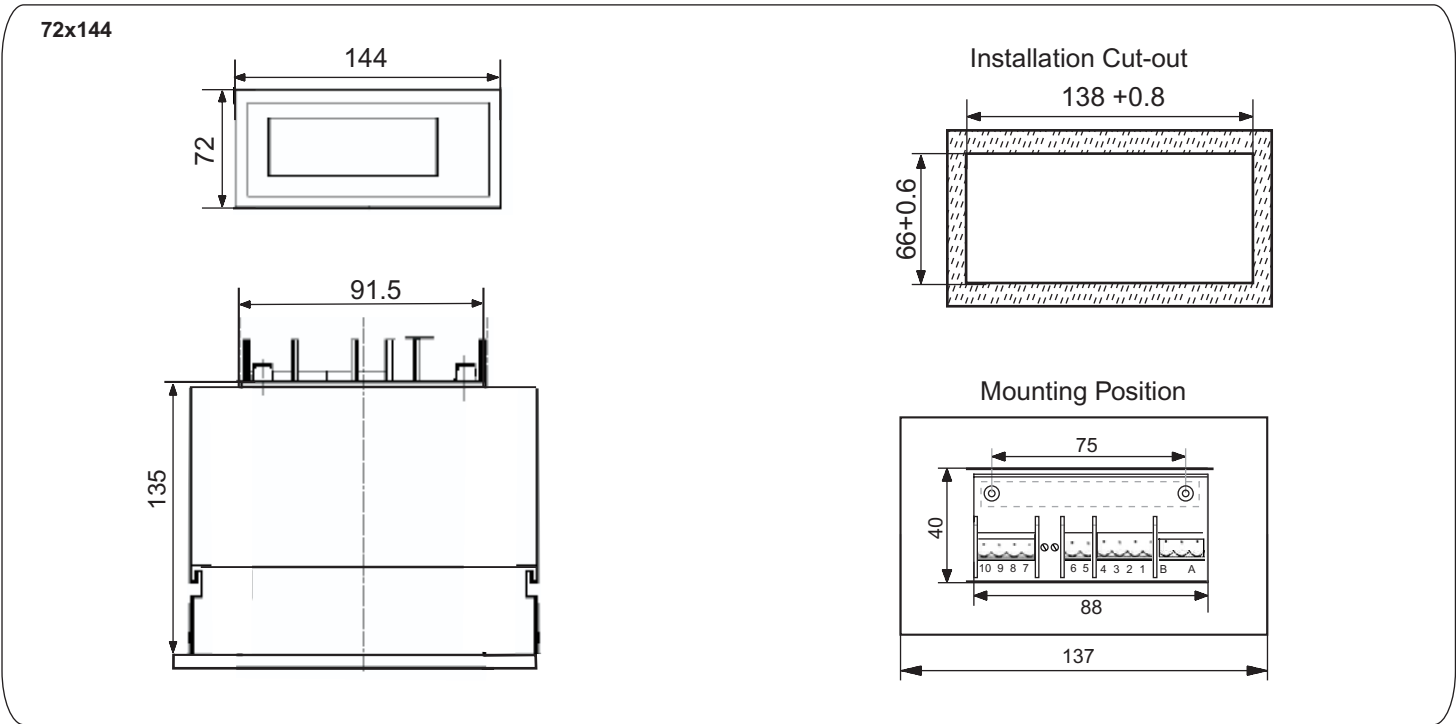
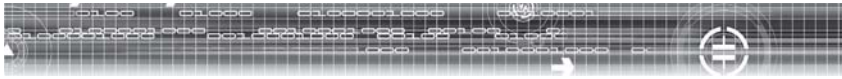


48x96

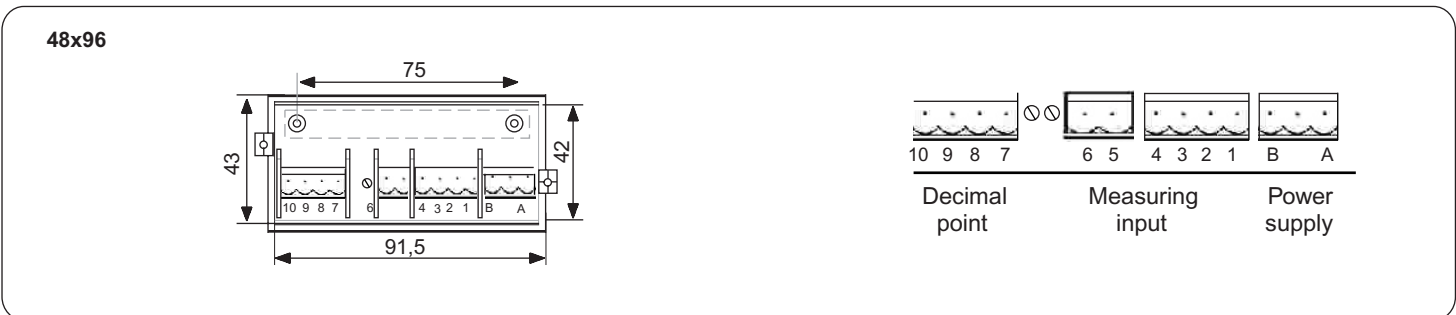
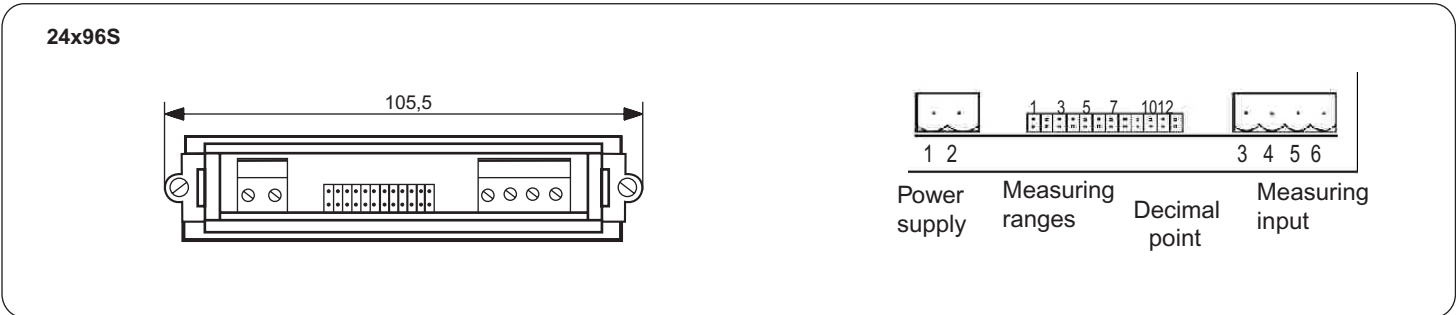
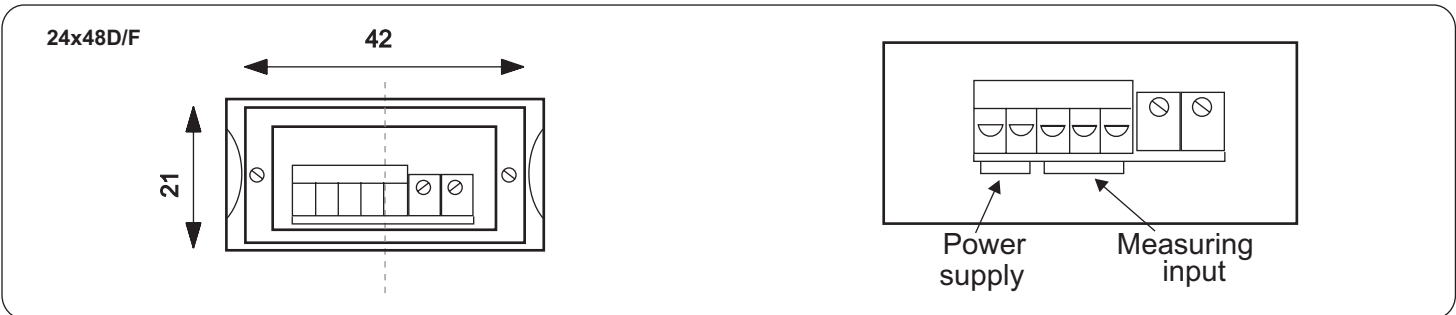


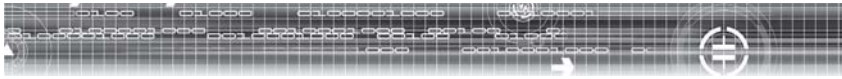
96x96





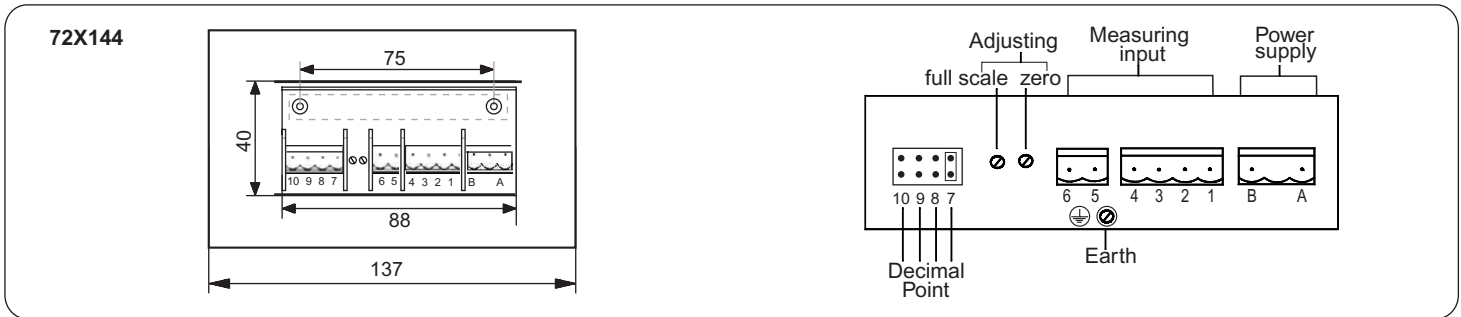
CONNECTION DIAGRAMS :





Ziegler

Redefine Innovative Metering



ORDERING INFORMATION

Please specify ordering information as given below,

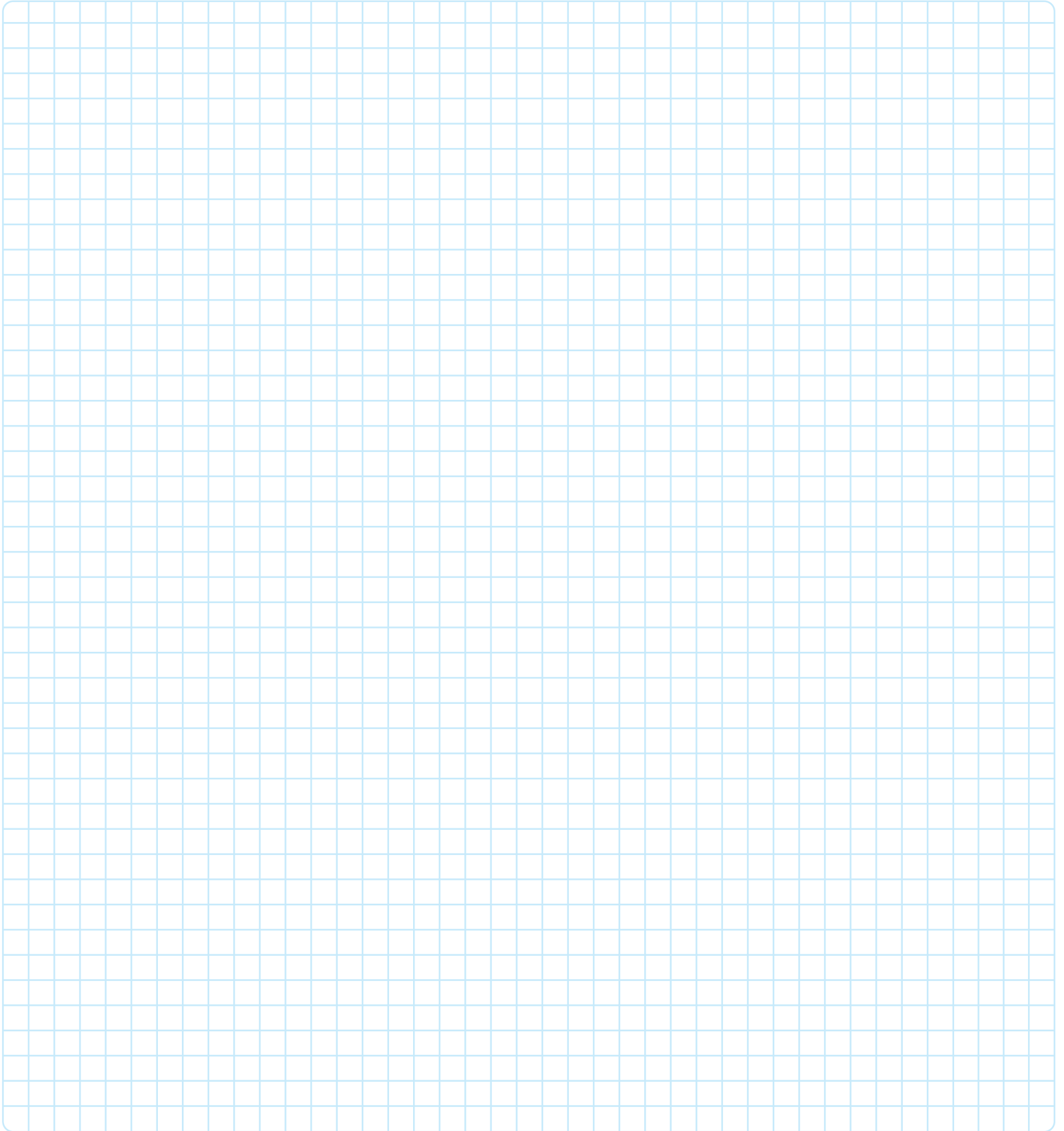
Type	Measuring Input	Display	Display caption	Options	Supply voltage
------	-----------------	---------	-----------------	---------	----------------

ORDERING EXAMPLE

24x48 D	0...20mA	0...12.00	pH	-----	24V DC
---------	----------	-----------	----	-------	--------



Ziegler



ZIEGLER INSTRUMENTS

Schnepfenreuther Weg 6, D-90425 Nurnberg, Germany.
Tel.: (+49)(911) 38 492 45
Fax.: (+49)(911) 32 26 212
E-mail: info@ziegler-instruments.com
Website: ziegler-instruments.com

Ziegler

Redefine Innovative Metering