

JUMO GmbH & Co. KG
 Delivery address: Mackenrodtstraße 14,
 36039 Fulda, Germany
 Postal address: 36035 Fulda, Germany
 Phone: +49 661 6003-0
 Fax: +49 661 6003-607
 e-mail: mail@jumo.net
 Internet: www.jumo.net

JUMO Instrument Co. Ltd.
 JUMO House
 Temple Bank, Riverway
 Harlow, Essex CM20 2DY, UK
 Phone: +44 1279 635533
 Fax: +44 1279 635262
 e-mail: sales@jumo.co.uk
 Internet: www.jumo.co.uk

JUMO PROCESS CONTROL INC.
 885 Fox Chase, Suite 103
 Coatesville PA 19320, USA
 Phone: 610-380-8002
 1-800-554-JUMO
 Fax: 610-380-8009
 e-mail: info@JumoUSA.com
 Internet: www.JumoUSA.com



Supply units for transmitters

for rail mounting

- C rail 35mm x 7.5mm EN 60715
- C rail 15mm EN 60715
- G rail EN 60715

Brief description

The supply units are used for the stabilised supply of transmitters. They provide a 24V DC supply which is electrically isolated from the mains supply.

Type designation

TN-22

supply unit for one 2-wire transmitter
 dimensions: 22.5mm x 61 mm x 76mm
 1 x 24V DC 10%, 22mA (stabilised)
 power consumption: 1.5VA approx.
 short-circuit proof

(1) (2) (3)

TN-22/ 02, 022

TN-22/ 04, 022

TN-22

supply unit for one analog transmitter
 dimensions: 30mm x 76mm x 91mm
 1 x 24V DC ±10%, 55mA (stabilised)
 power consumption: 3VA approx.
 conditionally short-circuit proof

(1) (2) (3)

TN-22/ 02, 055

TN-22/ 04, 055

TN-45

supply unit for up to four 2-wire transmitters
 dimensions: 45mm x 76mm x 91mm
 4 x 24V DC ±10%, 25mA (stabilised)
 power consumption: 8VA approx.
 short-circuit proof

(1) (2) (3)

TN-45/ 02, 025

TN-45/ 04, 025

TN-67

supply unit for up to four analog transmitters
 dimensions: 75mm x 76mm x 91mm
 4 x 24V DC ±10%, 55mA (stabilised)
 power consumption: 15VA approx.
 conditionally short-circuit proof

(1) (2) (3)

TN-67/ 02, 055

TN-67/ 04, 055

Codes for numbers (1) ... (3)

(1) Basic type

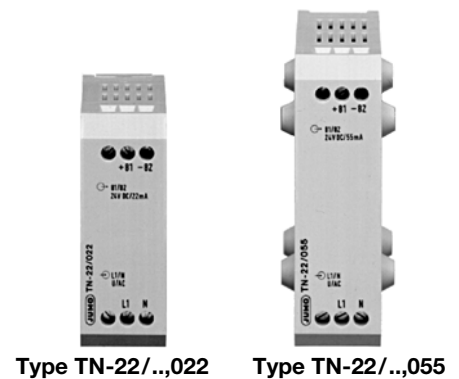
case width 22.5mm or 30mm	22
case width 45mm	45
case width 75mm	67

(2) Supply

230V AC 48 ... 63Hz +10% ... -15%	02
115V AC 48 ... 63Hz +10% ... -15%	04

(3) Maximum current of supply units

22mA	022
25mA	025
55mA	055



Type TN-22/...022

Type TN-22/...055

Technical data

General data

Operating temperature range

-10 ... +50°C

Storage temperature range

-20 ... +70°C

Climatic conditions

rel. humidity 75% max. annual mean
 no condensation

Operating position

vertical

Electrical connection

screw terminals for solid or stranded wire
 up to 2.5mm² conductor cross-section

Protection

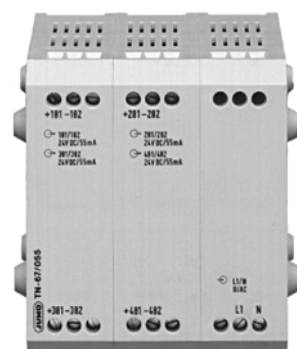
IP20 to DIN 40050

Weight

TN-22/...022	125g
TN-22/...055	210g
TN-45/...025	450g
TN-67/...055	600g

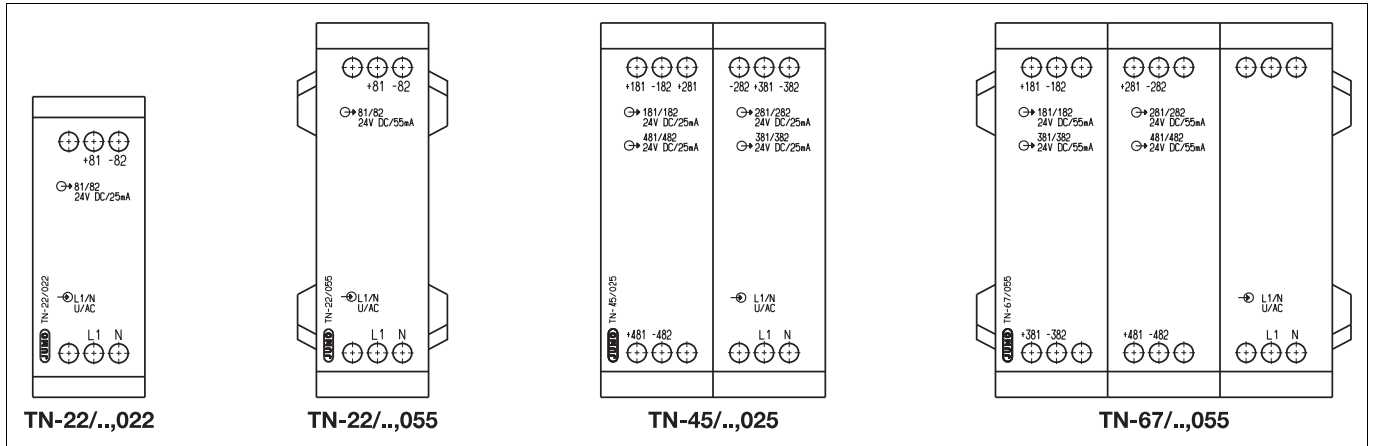


Type TN-45/...025



Type TN-67/...055

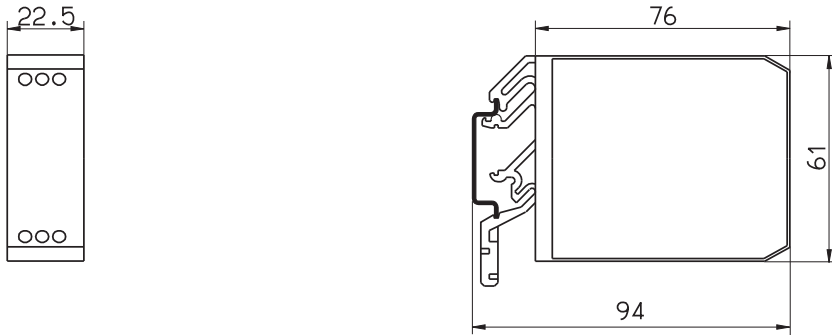
Connection diagram



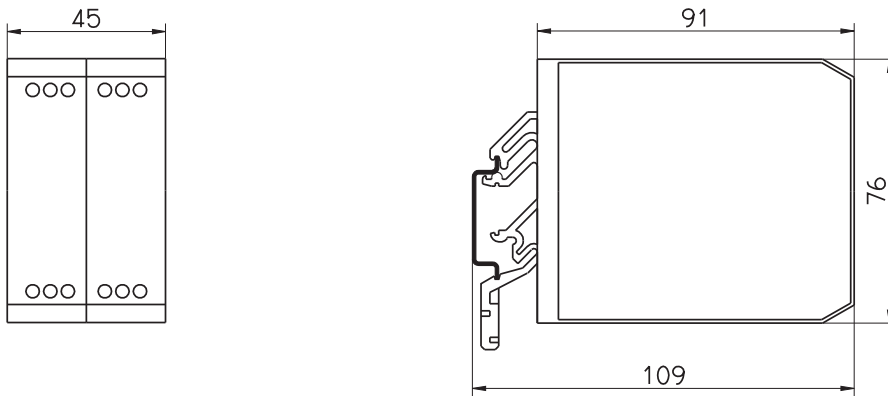
TN-22/...,022 and TN-22/...,055	
Connection for	Terminals
Supply AC	L1 line N neutral
Output DC	81+ 82- 24V DC TN-22/...,022: 22mA TN-22/...,055: 55mA
TN-45/...,025 and TN-67/...,055	
Connection for	Terminals
Supply AC	L1 line N neutral
Output DC	181+ 182- 24V DC TN-45/...,025: 25mA TN-67/...,055: 55mA
	281+ 282- 24V DC TN-45/...,025: 25mA TN-67/...,055: 55mA
	381+ 382- 24V DC TN-45/...,025: 25mA TN-67/...,055: 55mA
	481+ 482- 24V DC TN-45/...,025: 25mA TN-67/...,055: 55mA

Dimensions

TN-22/...,022

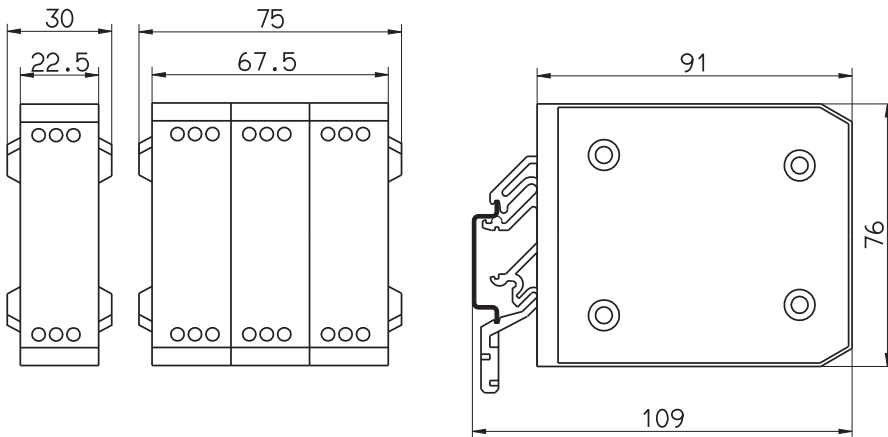


TN-45/...,025



TN-22/...,055

TN-67/...,055



mm	inch
22.5	0.89
30	1.18
45	1.77
61	2.40
67.5	2.66
75	2.95
76	2.99
91	3.58
94	3.70
109	4.29