

JUMO GmbH & Co. KG

Delivery address: Mackenrodtstraße 14
36039 Fulda, Germany
Postal address: 36035 Fulda, Germany
Phone: +49 661 6003-0
Fax: +49 661 6003-607
E-mail: mail@jumo.net
Internet: www.jumo.net

JUMO Instrument Co. Ltd.

JUMO House
Temple Bank, Riverway
Harlow, Essex CM20 2DY, UK
Phone: +44 1279 635533
Fax: +44 1279 635262
E-mail: sales@jumo.co.uk
Internet: www.jumo.co.uk

JUMO Process Control, Inc.

8 Technology Boulevard
Canastota, NY 13032, USA
Phone: 315-697-5866
1-800-554-JUMO
Fax: 315-697-5867
E-mail: info@jumo.us
Internet: www.jumo.us



JUMO reference electrode

Brief description

It is the task of reference electrodes to supply a constant potential during potentiometric measurements. The potential of an indicator electrode (such as a glass pH electrode) serves as a counterpoint. Reference electrodes are equipped with a cartridge-style silver/silver chloride conduction system.

A 3-molar potassium chloride solution is used as the standard reference electrolyte. The operating temperature range is between 0 and 90°C.

Reference electrodes can also be supplied with a liquid KCl electrolyte as an option. The operating temperature range is then between 0 and 135°C. The maximum working temperature of the glass electrode must be taken into account here.



Type 201083 ...

Technical data

Temperature range	gel filling 0 - 80 °C KCl filling 0 - 135 °C
Pressure range	with plug cap: unpressurized operation with Pg 13.5 screw cap: 10 bar/25 °C, 1 bar/80 °C
Terminal head	plug cap, Pg 13.5 screw cap
Process connection	Pg 13.5 thread
Washer	PSU
Seal	FPM70
Shaft material	glass (DIN 19 263)
Fitting length	120 mm (standard), other fitting lengths on request
Diaphragm	1 mm zirconium dioxide

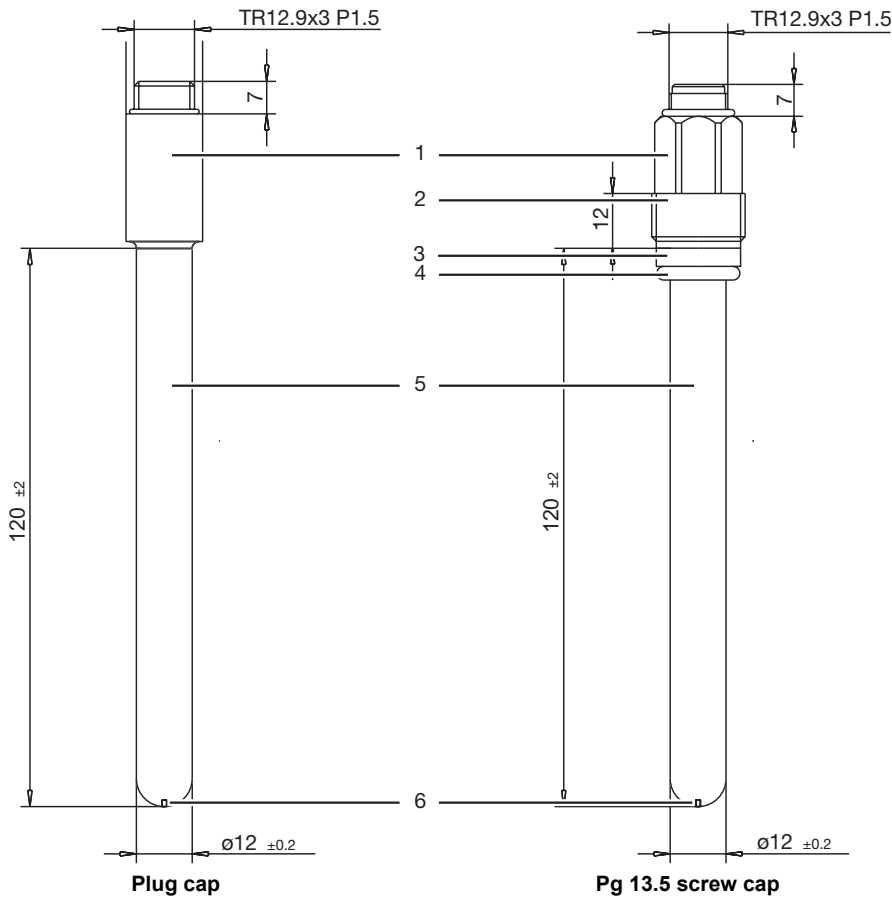
JUMO GmbH & Co. KG
 Delivery address: Mackenrodtstraße 14
 36039 Fulda, Germany
 Postal address: 36035 Fulda, Germany
 Phone: +49 661 6003-0
 Fax: +49 661 6003-607
 E-mail: mail@jumo.net
 Internet: www.jumo.net

JUMO Instrument Co. Ltd.
 JUMO House
 Temple Bank, Riverway
 Harlow, Essex CM20 2DY, UK
 Phone: +44 1279 635533
 Fax: +44 1279 635262
 E-mail: sales@jumo.co.uk
 Internet: www.jumo.co.uk

JUMO Process Control, Inc.
 8 Technology Boulevard
 Canastota, NY 13032, USA
 Phone: 315-697-5866
 1-800-554-JUMO
 Fax: 315-697-5867
 E-mail: info@jumo.us
 Internet: www.jumo.us



Dimensions



- 1 Plug cap or Pg 13.5 screw cap
- 2 Pg 13.5 process connection
- 3 PSU washer
- 4 FPM70 seal
- 5 Glass shaft material

JUMO GmbH & Co. KG

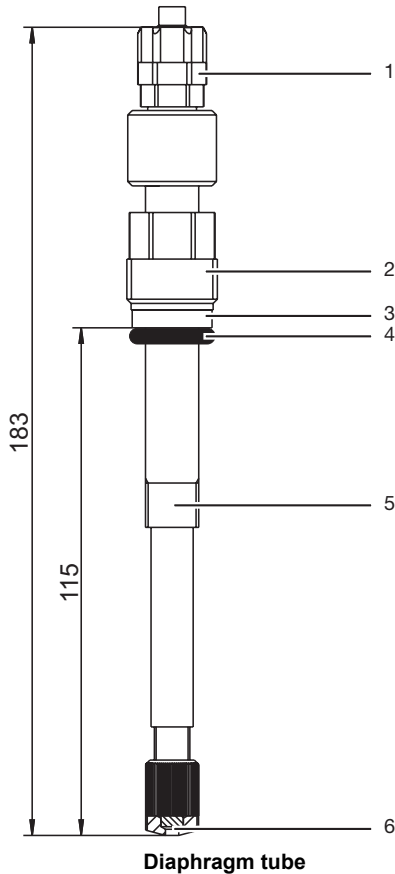
Delivery address: Mackenrodtstraße 14
 36039 Fulda, Germany
 Postal address: 36035 Fulda, Germany
 Phone: +49 661 6003-0
 Fax: +49 661 6003-607
 E-mail: mail@jumo.net
 Internet: www.jumo.net

JUMO Instrument Co. Ltd.

JUMO House
 Temple Bank, Riverway
 Harlow, Essex CM20 2DY, UK
 Phone: +44 1279 635533
 Fax: +44 1279 635262
 E-mail: sales@jumo.co.uk
 Internet: www.jumo.co.uk

JUMO Process Control, Inc.

8 Technology Boulevard
 Canastota, NY 13032, USA
 Phone: 315-697-5866
 1-800-554-JUMO
 Fax: 315-697-5867
 E-mail: info@jumo.us
 Internet: www.jumo.us

**Accessories**

- 1 Hose connection
- 2 PPO terminal head with process connection
- 3 PSU washer
- 4 FPM70 seal
- 5 PP shaft material

JUMO GmbH & Co. KG
 Delivery address: Mackenrodtstraße 14
 36039 Fulda, Germany
 Postal address: 36035 Fulda, Germany
 Phone: +49 661 6003-0
 Fax: +49 661 6003-607
 E-mail: mail@jumo.net
 Internet: www.jumo.net

JUMO Instrument Co. Ltd.
 JUMO House
 Temple Bank, Riverway
 Harlow, Essex CM20 2DY, UK
 Phone: +44 1279 635533
 Fax: +44 1279 635262
 E-mail: sales@jumo.co.uk
 Internet: www.jumo.co.uk

JUMO Process Control, Inc.
 8 Technology Boulevard
 Canastota, NY 13032, USA
 Phone: 315-697-5866
 1-800-554-JUMO
 Fax: 315-697-5867
 E-mail: info@jumo.us
 Internet: www.jumo.us



Order details

(1) Basic type

201083		JUMO reference electrode
	(2) Shaft material	
x	89	glass
	(3) Electrolyte	
x	04	gel filling
o	05	KCl filling
	(4) Diaphragm	
x	04	PTFE diaphragm
x	07	1 x zirconium dioxide diaphragm (special ceramic)
o	09	3 x zirconium dioxide diaphragm (special ceramic)
	(5) Connection	
o	21	screw cap
x	22	Pg 13.5 screw cap
o	40	screw cap with attached cable
o	60	Pg 13.5 screw cap with attached cable
	(6) Fitting length	
x	120	120 mm (standard)
o	225	225 mm
	...	Other fitting lengths on request
x = as standard		
o = option		

Order code	(1)	-	(2)	-	(3)	-	(4)	-	(5)	-	(6)
Order example	201083	-	89	-	04	-	07	-	22	-	120

Note:

The order code is a type designation, not a modular system. If possible, choose items listed under "stock versions" or "production versions" for your orders. We will have to technically inspect and approve a free combination of individual key features. In case of doubt, please ask.

Stock version

(delivery 3 working days after receipt of order)

Type	Brief description	Sales no.
201083-89-04-07-22-0-120	Reference electrode, 1 x zirconium diaphragm, gel filling, Pg 13.5 screw cap, 120 mm	20/00083865

Production version

(delivery 10 working days after receipt of order)

Type	Brief description	Sales no.
201083-89-04-07-21-0-120	Reference electrode, 1 x zirconium diaphragm, gel filling, plug cap, 120 mm	20/00083861

JUMO GmbH & Co. KG

Delivery address: Mackenrodtstraße 14
36039 Fulda, Germany
Postal address: 36035 Fulda, Germany
Phone: +49 661 6003-0
Fax: +49 661 6003-607
E-mail: mail@jumo.net
Internet: www.jumo.net

JUMO Instrument Co. Ltd.

JUMO House
Temple Bank, Riverway
Harlow, Essex CM20 2DY, UK
Phone: +44 1279 635533
Fax: +44 1279 635262
E-mail: sales@jumo.co.uk
Internet: www.jumo.co.uk

JUMO Process Control, Inc.

8 Technology Boulevard
Canastota, NY 13032, USA
Phone: 315-697-5866
1-800-554-JUMO
Fax: 315-697-5867
E-mail: info@jumo.us
Internet: www.jumo.us



201083-89-05-07-21-0-120

Reference electrode, 1 x zirconium diaphragm,
KCl filling, plug cap, 120 mm

20/00083862

Accessories

(delivery 10 working days after receipt of order)

Description

Diaphragm tube

10 x replacement PTFE diaphragms

Sales no.

20/00084582

20/00304567