

JUMO GmbH & Co. KG

Delivery address: Mackenrodtstraße 14
36039 Fulda, Germany
Postal address: 36035 Fulda, Germany
Phone: +49 661 6003-0
Fax: +49 661 6003-607
E-mail: mail@jumo.net
Internet: www.jumo.net

JUMO Instrument Co. Ltd.

JUMO House
Temple Bank, Riverway
Harlow, Essex CM20 2DY, UK
Phone: +44 1279 635533
Fax: +44 1279 635262
E-mail: sales@jumo.co.uk
Internet: www.jumo.co.uk

JUMO Process Control, Inc.

8 Technology Boulevard
Canastota, NY 13032, USA
Phone: 315-697-5866
1-800-554-JUMO
Fax: 315-697-5867
E-mail: info@jumo.us
Internet: www.jumo.us



JUMO compensation thermometers

Brief description

Temperature error can falsify the measurement signal during electrochemical measurements. Compensation thermometers are used to compensate measurement error caused by temperature. Compensation thermometers detect the temperature of the sample. The acquired signal is transferred to the downstream transmitter. In the transmitter, the measurement value is calculated back to the 25°C reference temperature.



Type 201085- ...

Technical data

Temperature range	0 - 150 °C
Pressure range	with plug cap: unpressurized operation with Pg 13.5 screw cap: 10 bar/25 °C, 1 bar/80 °C with Pg 13.5 M12 screw cap: 10 bar/25 °C, 1 bar/80 °C
Terminal head	plug cap without thread (PPO) or Pg 13.5 screw cap (PPO)
Process connection	no thread or Pg 13.5 thread
Washer	PSU
Seal	FPM70
Shaft material	glass (DIN 19 263)
Active component	Pt100 DIN/IEC class B
Fitting length	120 mm (standard), other fitting lengths on request

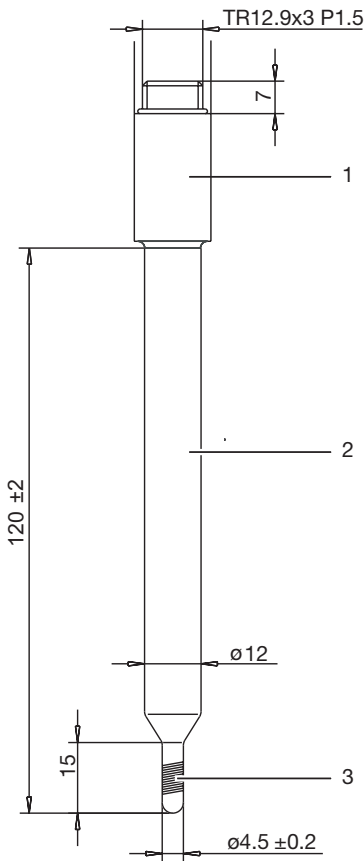
JUMO GmbH & Co. KG
 Delivery address: Mackenrodtstraße 14
 36039 Fulda, Germany
 Postal address: 36035 Fulda, Germany
 Phone: +49 661 6003-0
 Fax: +49 661 6003-607
 E-mail: mail@jumo.net
 Internet: www.jumo.net

JUMO Instrument Co. Ltd.
 JUMO House
 Temple Bank, Riverway
 Harlow, Essex CM20 2DY, UK
 Phone: +44 1279 635533
 Fax: +44 1279 635262
 E-mail: sales@jumo.co.uk
 Internet: www.jumo.co.uk

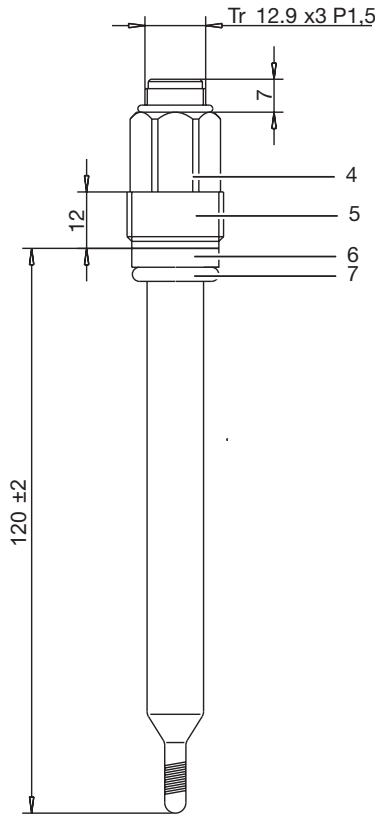
JUMO Process Control, Inc.
 8 Technology Boulevard
 Canastota, NY 13032, USA
 Phone: 315-697-5866
 1-800-554-JUMO
 Fax: 315-697-5867
 E-mail: info@jumo.us
 Internet: www.jumo.us



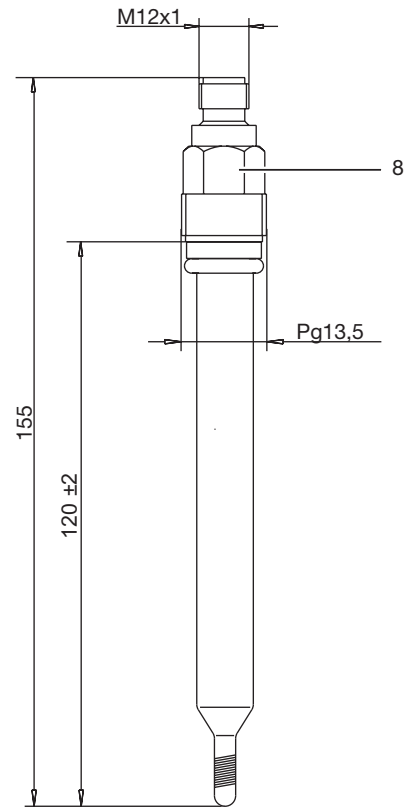
Dimensions



Plug cap



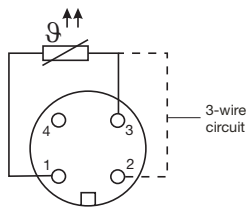
Pg 13.5 screw cap



Pg 13.5 screw cap with M12 connector

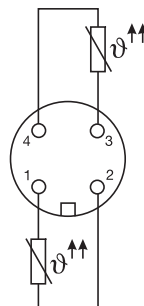
M12 connector pin assignment

1 x Pt 100/Pt 1000



M12 connector x 1,
4-pin 713 series

2 x Pt 100



M12 connector x 1,
4-pin 713 series



M12 socket x 1,
5-pin 713 series (accessories)

JUMO GmbH & Co. KG
 Delivery address: Mackenrodtstraße 14
 36039 Fulda, Germany
 Postal address: 36035 Fulda, Germany
 Phone: +49 661 6003-0
 Fax: +49 661 6003-607
 E-mail: mail@jumo.net
 Internet: www.jumo.net

JUMO Instrument Co. Ltd.
 JUMO House
 Temple Bank, Riverway
 Harlow, Essex CM20 2DY, UK
 Phone: +44 1279 635533
 Fax: +44 1279 635262
 E-mail: sales@jumo.co.uk
 Internet: www.jumo.co.uk

JUMO Process Control, Inc.
 8 Technology Boulevard
 Canastota, NY 13032, USA
 Phone: 315-697-5866
 1-800-554-JUMO
 Fax: 315-697-5867
 E-mail: info@jumo.us
 Internet: www.jumo.us



Order details:

	(1) Basic type	201085	JUMO compensation thermometer
x	(2) Shaft material	89	glass
o	(3) Active component	1001	Pt 100 in a 3-wire circuit/class B/0 - 150°C ^a
x		1003	Pt 100 in a 2-wire circuit/class B/0 - 150°C
o		1005	Pt 1000 in a 2-wire circuit/class B/0 - 150°C
o		1006	Pt 1000 in a 3-wire circuit/class B/0 - 150°C ^a
o		2003	twin Pt 100/class B/0 - 150°C ^a
o	(4) Connection	21	plug cap
x		22	Pg 13.5 screw cap
o		70	Pg 13.5 screw cap with M12 connector
x	(5) Fitting length	120	120 mm (standard) ^b

x = as standard

o = option

^a Only possible in conjunction with connection 70.

^b Other fitting lengths on request.

Order code	(1)	-	(2)	-	(3)	-	(4)	-	(5)
Order example	201085	-	89	-	1003	-	22	-	120

Note:

The order code is a type designation, not a modular system.

If possible, choose items listed under "stock versions" or "production versions" for your orders.

We will have to technically inspect and approve a free combination of individual key features.

In case of doubt, please ask.

Stock version

(delivery 3 working days after receipt of order)

Type	Brief description	Sales no.
201085-89-1003-22-120	Compensation thermometer, Pt 100, Pg 13.5 screw cap, 120 mm	20/00300443

Production version

(delivery 10 working days after receipt of order)

Type	Brief description	Sales no.
201085-89-1003-70-120	Compensation thermometer, Pt 100, Pg 13.5 screw cap with M12 connector, 120 mm	20/00492092
201085-89-1003-70-120	Compensation thermometer, Pt 100, Plug cap, 120 mm	20/00300442

Accessories

Type	Brief description	Sales no.
------	-------------------	-----------

JUMO GmbH & Co. KG

Delivery address: Mackenrodtstraße 14
36039 Fulda, Germany
Postal address: 36035 Fulda, Germany
Phone: +49 661 6003-0
Fax: +49 661 6003-607
E-mail: mail@jumo.net
Internet: www.jumo.net

JUMO Instrument Co. Ltd.

JUMO House
Temple Bank, Riverway
Harlow, Essex CM20 2DY, UK
Phone: +44 1279 635533
Fax: +44 1279 635262
E-mail: sales@jumo.co.uk
Internet: www.jumo.co.uk

JUMO Process Control, Inc.

8 Technology Boulevard
Canastota, NY 13032, USA
Phone: 315-697-5866
1-800-554-JUMO
Fax: 315-697-5867
E-mail: info@jumo.us
Internet: www.jumo.us



M12 socket x 1

5-pin M12 socket; in conjunction with connection 70
(Pg 13.5 screw cap with M12 connector)

20/00458581