

**JUMO GmbH & Co. KG**  
 Delivery address: Mackenrodtstraße 14,  
 36039 Fulda, Germany  
 Postal address: 36035 Fulda, Germany  
 Phone: +49 661 6003-0  
 Fax: +49 661 6003-607  
 e-mail: mail@jumo.net  
 Internet: www.jumo.net

**JUMO Instrument Co. Ltd.**  
 JUMO House  
 Temple Bank, Riverway  
 Harlow, Essex CM 20 2TT, UK  
 Phone: +44 1279 635533  
 Fax: +44 1279 635262  
 e-mail: sales@jumo.co.uk  
 Internet: www.jumo.co.uk

**JUMO Process Control, Inc.**  
 8 Technology Boulevard  
 Canastota, NY 13032, USA  
 Phone: 315-697-JUMO  
 1-800-554-JUMO  
 Fax: 315-697-5867  
 e-mail: info@jumo.us  
 Internet: www.jumo.us



# Manual quick-change fittings

## Brief description

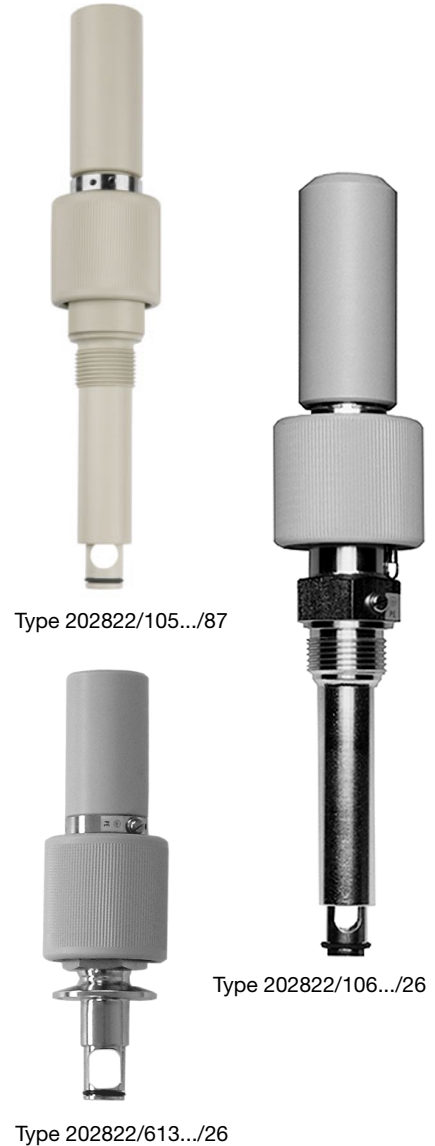
The quick-change fittings, which can be operated manually, permit sensor mounting and removal under process conditions, which means that the liquid cycle concerned, or the main flow, need not be interrupted.

Quick-change fittings are mainly used for pH measurements in closed cycles, or for measurements in the inflow and outflow of water purification plants. The quick-change fitting can also be installed at the side of the tank, which allows the sensor to be removed without previously emptying the tank.

The fitting enables the mounting of one sensor with a Pg 13.5 thread and a mounting length of 120 or 225 mm.

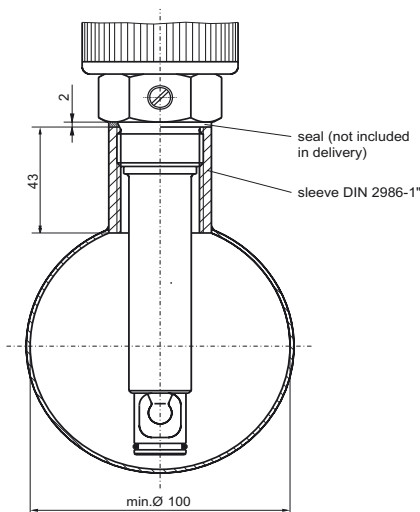
## Applications

- measurements in closed liquid cycles, e.g. pH measurement in cooling and water purification plants
- measurements in closed containers and tanks
- final pH check in outflow, if a bypass is not possible
- Type 202822/106-135-.. fitting with screw-in thread G1A, for installing one sensor with a Pg 13.5 thread and a mounting length of 225 mm
- Type 202822/105-62-.. fitting with screw-in thread G3/4A, for installing one sensor with a Pg 13.5 thread and a mounting length of 120 mm
- Type 202822/613-48-26: fitting with clamp connection, for fitting one sensor with a Pg 13.5 thread and a mounting length of 120 mm

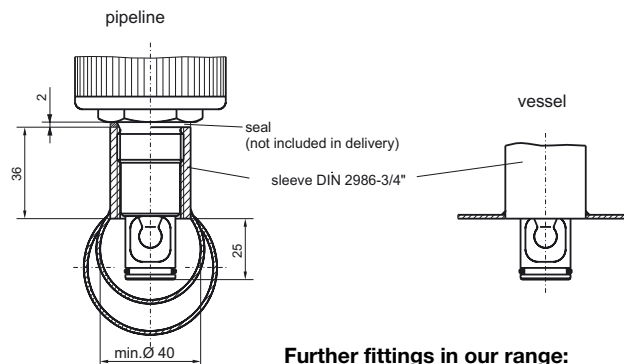


## Mounting options

Type 202822/106-135-..



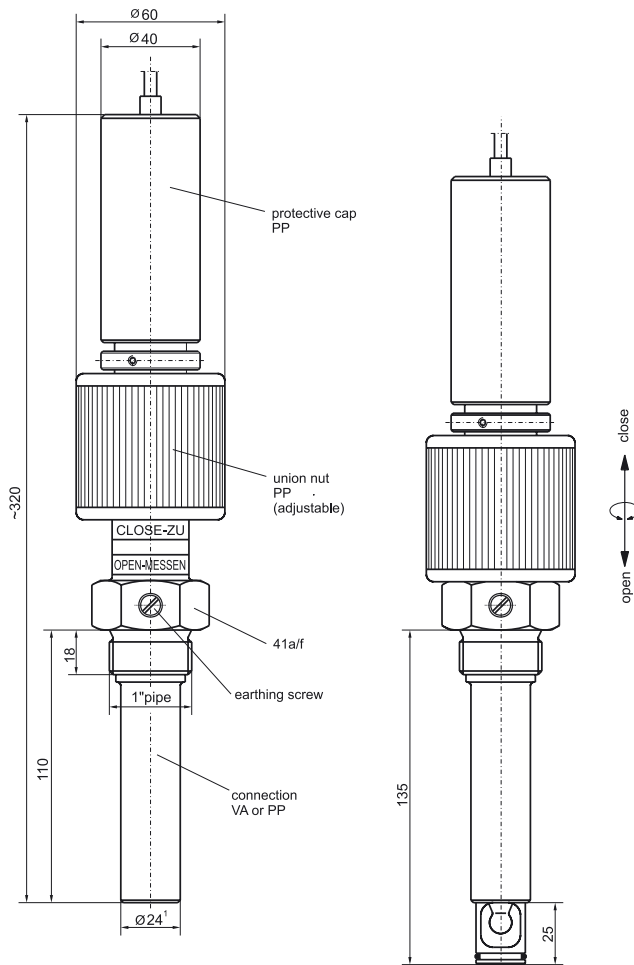
Type 202822/105-062-26



### Further fittings in our range:

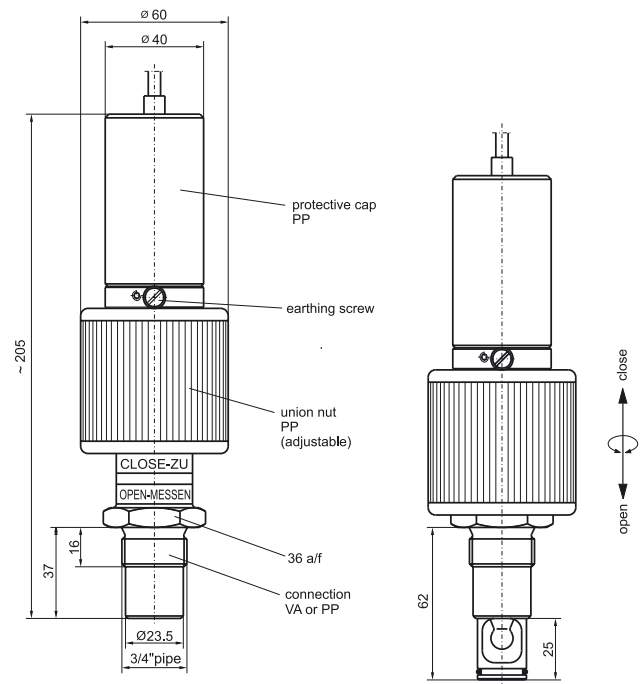
Fittings type:	Data Sheet
Flow-through fittings	T 202810
Immersion fittings	T 202820
Quick-change fittings	T 202822
Process fittings	T 202825

# Dimensions

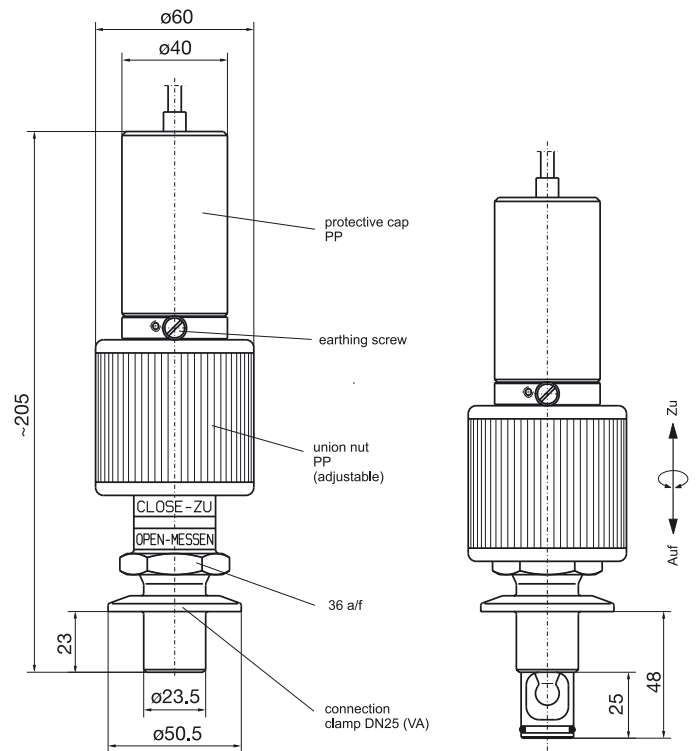


Type 202822/106-135-26, Type 202822/106-135-87

<sup>1</sup> with material PP: 29 mm dia.



Type 202822/105-062-26, Type 202822/105-062-87



Type 202822/613-048-26

<sup>1</sup> Bei Werkstoff PP Ø 29 mm

## Technical data

<b>Parts in contact with medium</b>	stainless steel 1.4571 and FPM or PP and FPM
<b>Permissible temperature <sup>1</sup></b>	-30 to +135°C stainless steel -10 to + 60°C PP
<b>Safe pressure at 25°C</b>	up to 10bar for stainless steel up to 6bar for PP
<b>Seal</b>	FPM
<b>Protection</b>	IP65
<b>Mounting position</b>	please observe the mounting instructions for the sensor that is used
<b>Electrode holder</b>	Pg13.5 thread A type 202995 impedance converter or a type 202701 two-wire transmitter can be incorporated.
<b>Weight</b>	Type 202822/105-062-260.8 kg Type 202822/106-135-261.0 kg Type 202822/613-048-261.2 kg

## Order details

	<b>(1) Basic version</b>
202822	Manual quick-change fitting
	<b>(2) Process connection</b>
105	screw-in thread G3/4A (3/4" pipe) for electrodes with a mounting length of 120 mm
106	screw-in thread G1A (1" pipe) for electrodes with a mounting length of 225 mm
613	clamp connection DN25 for electrodes with a mounting length of 120 mm
	<b>(3) Mounting length</b>
x 048	048 mm
x 062	062 mm
x 135	135 mm
	<b>(4) Material</b>
x 26	parts in contact with medium: stainless steel 1.4571
x 87	polypropylene (PP)

x = available

<b>Order code</b>	(1)	(2)	(3)	(4)
<b>Order example</b>	202822	/ 105	- 062	- 26

The type code is a type designation, not a modular system.

If at all possible, please choose the items listed under "Stock items" or "Production items".

Any free combination of individual code features must be technically checked by us and released.

Please ask us in case of doubt.

## Stock items (delivery: 3 working days after receipt of order)

<b>Type</b>	<b>Sales No.</b>
202822/105-062-26	20/00366915
202822/106-135-26	20/00345780
202822/613-048-26	20/00348649

## Production items (delivery: 10 working days after receipt of order)

<b>Type</b>	<b>Sales No.</b>
202822/106-135-87	20/00375339
202822/105-062-87	20/00381650

## Optional accessories

<b>Description</b>	<b>Sales No.</b>
KCl reservoir, wall-mounted; to set up an electrolyte bridge or when using KCl-filled electrodes	20/00060254
Spare part kit for manual quick-change fitting (o-ring set and mounting wrench)	20/00420614

<sup>1</sup> Please also note the maximum operating data for the sensor used!  
It is **not** possible to remove the sensor at maximum temperature!