

**JUMO GmbH & Co. KG**

Delivery address: Mackenrodtstraße 14  
36039 Fulda, Germany  
Postal address: 36035 Fulda, Germany  
Phone: +49 661 6003-0  
Fax: +49 661 6003-607  
E-mail: mail@jumo.net  
Internet: www.jumo.net

**JUMO Instrument Co. Ltd.**

JUMO House  
Temple Bank, Riverway  
Harlow, Essex CM20 2DY, UK  
Phone: +44 1279 635533  
Fax: +44 1279 635262  
E-mail: sales@jumo.co.uk  
Internet: www.jumo.co.uk

**JUMO Process Control, Inc.**

8 Technology Boulevard  
Canastota, NY 13032, USA  
Phone: 315-697-5866  
1-800-554-JUMO  
Fax: 315-697-5867  
E-mail: info@jumo.us  
Internet: www.jumo.us



# JUMO ecoLine CR-PVC Conductive 2-Electrode Conductivity Sensor

## 202923 Series (former 2EL5... Series)

- 2-electrode principle
- proven versions for industrial application
- measuring ranges 0 – 1 mS/cm (K = 0.1) or 0.01 – 15 mS/cm (K = 1.0)
- temperature range up to 55 °C, maximum pressure 6 bar at 25 °C

### Brief description

Conductivity sensors in the 202923 series are used, for instance, in general water engineering, air conditioning and refrigeration, drinking and bathing water, and in industrial rinsing and process water circulation. The PVC body material restricts their application to media temperatures up to 55 °C. Two variants with the cell constants  $K = 0.1$  or  $1.0$  can be supplied. Versions with the popular thread sizes G 3/4" or G 1" as well as a pluggable style are available for installation. The pluggable version is appropriate for use, for instance, with suitable PVC tees in the nominal sizes DN 25, 32 and 40. It enables fast de-installation of the sensor for cleaning and maintenance. According to choice, the electrical connection is made either by a detachable connector or an attached cable.

The overall construction and the wetted components are physiologically harmless. Stainless steel ( $K = 0.1$ ) or special graphite ( $K = 1.0$ ) is used as the electrode material. The temperature probe, which can optionally be integrated, simultaneously acquires the temperature of the medium, for temperature compensation in connected instrumentation amplifiers.

#### Stainless steel variant K = 0.1

The sensor features 3 metallic pin electrodes. The two outer pins are electrically connected and form one pole of the 2-electrode conductivity sensor. The stainless steel pin in the middle is the counter electrode. This arrangement ensures highly accurate measurement with narrow stray fields. A temperature probe can be integrated into the middle pin.

#### Graphite variant K = 1.0

Physical requirements necessitate using a special graphite as electrode material for high conductance measurement. The two graphite electrodes are completely integrated in the electrode shaft. The optional temperature probe is housed in a stainless steel sleeve that is immersed in the solution under test.

### Principle of operation

The 202923 series conductivity sensors are 2-electrode conductivity sensors. An a.c. voltage is applied by means of a transmitter. The current flowing through the liquid and the electrodes is determined by the conductivity of the liquid.



**JUMO GmbH & Co. KG**

Delivery address: Mackenrodtstraße 14  
36039 Fulda, Germany  
Postal address: 36035 Fulda, Germany  
Phone: +49 661 6003-0  
Fax: +49 661 6003-607  
E-mail: mail@jumo.net  
Internet: www.jumo.net

**JUMO Instrument Co. Ltd.**

JUMO House  
Temple Bank, Riverway  
Harlow, Essex CM20 2DY, UK  
Phone: +44 1279 635533  
Fax: +44 1279 635262  
E-mail: sales@jumo.co.uk  
Internet: www.jumo.co.uk

**JUMO Process Control, Inc.**

8 Technology Boulevard  
Canastota, NY 13032, USA  
Phone: 315-697-5866  
1-800-554-JUMO  
Fax: 315-697-5867  
E-mail: info@jumo.us  
Internet: www.jumo.us



## Technical data

Cell constant <sup>a</sup>	K = 0.1 or K = 1.,0
Typical measuring ranges <sup>b</sup>	0 – 1,0 mS/cm (with K = 0.1) 0,01 – 15 mS/cm (with K = 1.0)
Temperature compensation	optionally with Pt100
Process connection	screw-in thread G 3/4A, G 1A, union nut DN 25 1 1/2" for PVC tees
Body material	PVC
Cell material	stainless steel 1.4571 with K = 0.1 graphite with K = 1.0
Operating temperature	up to +55 °C
Maximum pressure	6 bar at 25 °C
Electrical connection	instrument connector (Hirschmann) to DIN 43650, IP65 protection or 5 m attached cable, other cable lengths on request

a. Depending on the production conditions, the cell constant can deviate by  $\pm 10\%$  from the nominal value. This deviation can be compensated at the transmitter.

b. The measuring ranges also depend on the transmitter that is used.

When used for wider ranges than the "typical" ones, measurement errors caused by polarization may occur.

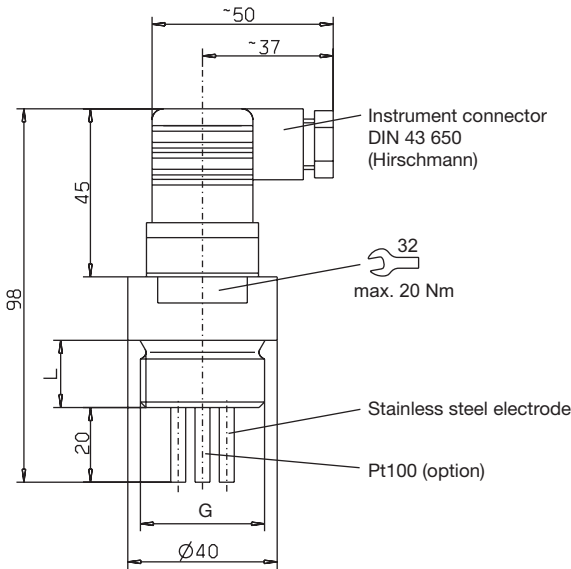
**JUMO GmbH & Co. KG**  
 Delivery address: Mackenrodtstraße 14  
 36039 Fulda, Germany  
 Postal address: 36035 Fulda, Germany  
 Phone: +49 661 6003-0  
 Fax: +49 661 6003-607  
 E-mail: mail@jumo.net  
 Internet: www.jumo.net

**JUMO Instrument Co. Ltd.**  
 JUMO House  
 Temple Bank, Riverway  
 Harlow, Essex CM20 2DY, UK  
 Phone: +44 1279 635533  
 Fax: +44 1279 635262  
 E-mail: sales@jumo.co.uk  
 Internet: www.jumo.co.uk

**JUMO Process Control, Inc.**  
 8 Technology Boulevard  
 Canastota, NY 13032, USA  
 Phone: 315-697-5866  
 1-800-554-JUMO  
 Fax: 315-697-5867  
 E-mail: info@jumo.us  
 Internet: www.jumo.us

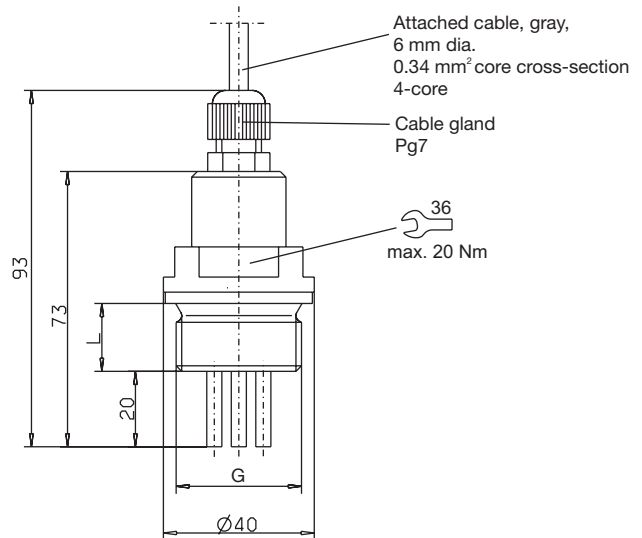


## Dimensions/installation options

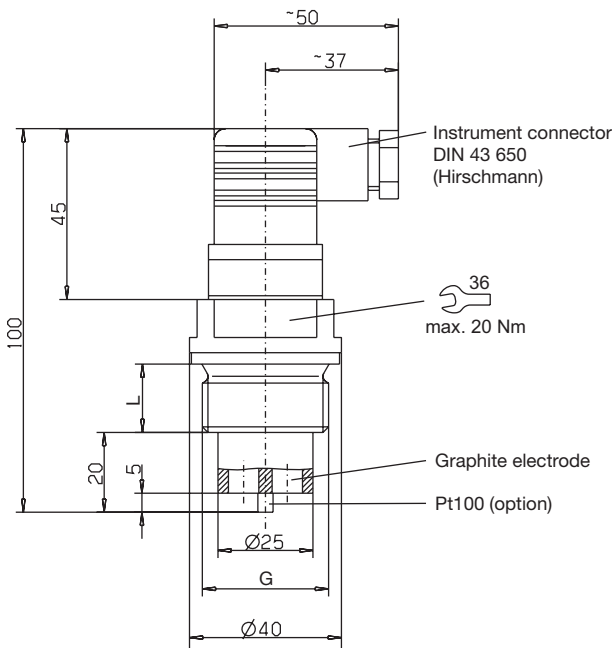


**Type 202923/0010-1003-xxx-37-86-26**  
 Cell constant K = 0.1

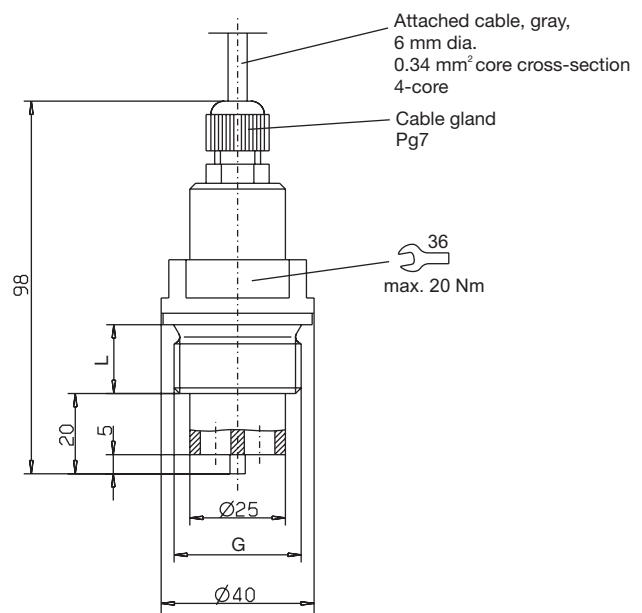
Process connection	G	L
-105	G 3/4	16
-106	G 1	18



**Type 202923/0010-1003-xxx-17-86-26**  
 Cell constant K = 0.1



**Type 202923/0100-1003-xxx-37-86-88**  
 Cell constant K = 1.0



**Type 202923/0100-1003-xxx-17-86-88**  
 Cell constant K = 1.0

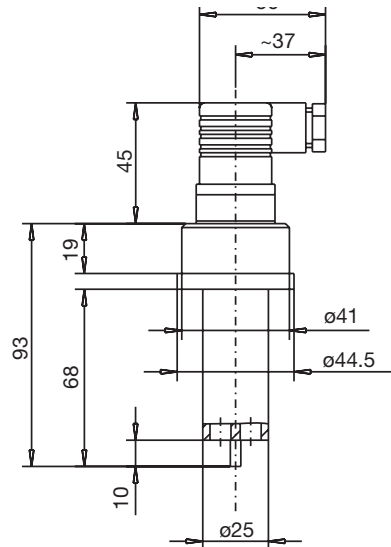
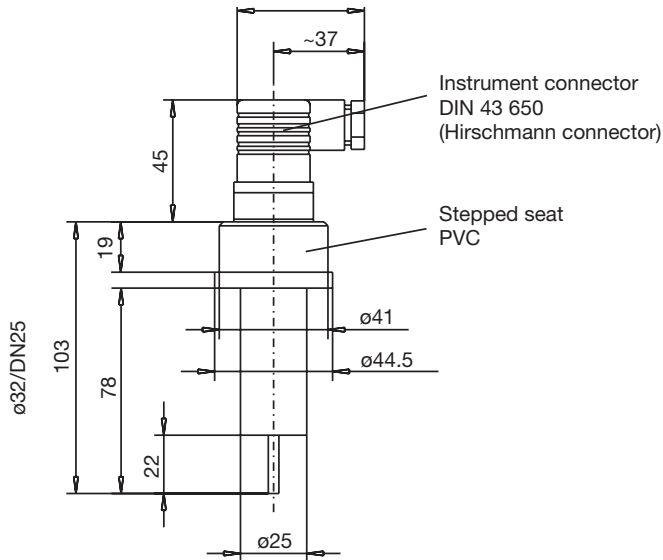
**JUMO GmbH & Co. KG**  
 Delivery address: Mackenrodtstraße 14  
 36039 Fulda, Germany  
 Postal address: 36035 Fulda, Germany  
 Phone: +49 661 6003-0  
 Fax: +49 661 6003-607  
 E-mail: mail@jumo.net  
 Internet: www.jumo.net

**JUMO Instrument Co. Ltd.**  
 JUMO House  
 Temple Bank, Riverway  
 Harlow, Essex CM20 2DY, UK  
 Phone: +44 1279 635533  
 Fax: +44 1279 635262  
 E-mail: sales@jumo.co.uk  
 Internet: www.jumo.co.uk

**JUMO Process Control, Inc.**  
 8 Technology Boulevard  
 Canastota, NY 13032, USA  
 Phone: 315-697-5866  
 1-800-554-JUMO  
 Fax: 315-697-5867  
 E-mail: info@jumo.us  
 Internet: www.jumo.us



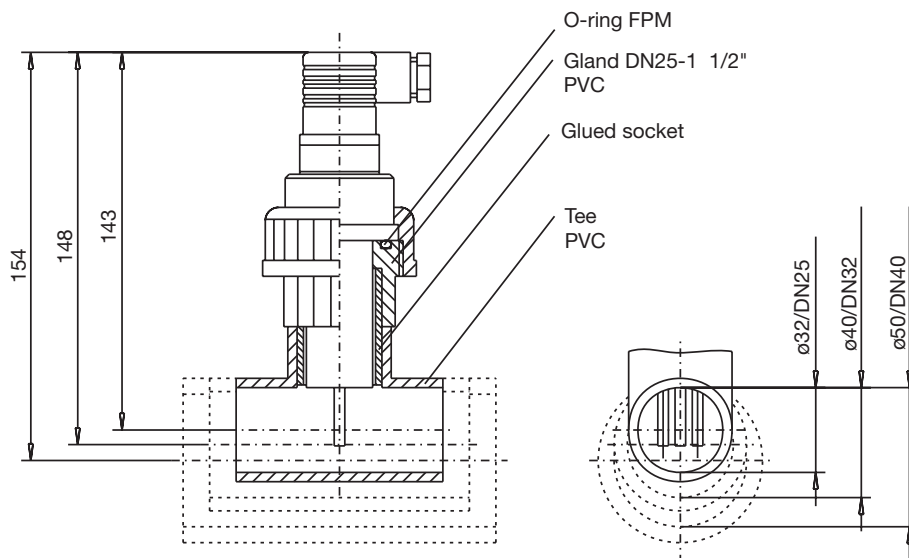
**Pluggable version**



**Type 202923/0010-1003-687-37-86-26**  
 Cell constant  $K = 0.1$   
 Note: supplied without union nut!

**Type 202923/0100-1003-687-37-86-84**  
 Cell constant  $K = 1.0$   
 Note: supplied without union nut!

**Accessories for für pluggable version**



**Tee DN 25**  
**Tee DN 32**  
**Tee DN 40**

**JUMO GmbH & Co. KG**  
 Delivery address: Mackenrodtstraße 14  
 36039 Fulda, Germany  
 Postal address: 36035 Fulda, Germany  
 Phone: +49 661 6003-0  
 Fax: +49 661 6003-607  
 E-mail: mail@jumo.net  
 Internet: www.jumo.net

**JUMO Instrument Co. Ltd.**  
 JUMO House  
 Temple Bank, Riverway  
 Harlow, Essex CM20 2DY, UK  
 Phone: +44 1279 635533  
 Fax: +44 1279 635262  
 E-mail: sales@jumo.co.uk  
 Internet: www.jumo.co.uk

**JUMO Process Control, Inc.**  
 8 Technology Boulevard  
 Canastota, NY 13032, USA  
 Phone: 315-697-5866  
 1-800-554-JUMO  
 Fax: 315-697-5867  
 E-mail: info@jumo.us  
 Internet: www.jumo.us



## Electrical connection

Connection for	Connector	Attached cable
Outer electrode		white
Inner electrode	2	brown
Temperature com (option)	1 3	yellow green

## Order details

### (1) Basic type

202923 JUMO ecoLine CR-PVC - Conductive 2-Electrode Conductivity Sensor

### (2) Cell constant

0010 K = 0.1 (Messbereich 0 – 1.0 mS/cm)

0100 K = 1.0 (Messbereich 0.01 – 15 mS/cm)

### (3) Temperature sensor

0000 none

1003 Pt100

### (4) Process connection

687 stepped seat PVC Ø 32/DN 25 (supplied **without** union nut)

105 screw-in thread G 3/4"A

106 screw-in thread G 1"A

### (5) Electrical connection

17 attached cable with Pg gland, cable length 5 m

37 instrument connector to DIN 43650 (Hirschmann connector)

### (6) Body material

86 PVC

### (7) Cell material

26 stainless steel 1.4571

84 graphite

x = standard  
 o = optional  
 - = not possible

Order code  /  -  -  -  -  -   
 Order example 202923 / 0010 - 1003 - 196 - 17 - 86 - 26

Additional versions on request!

**JUMO GmbH & Co. KG**

Delivery address: Mackenrodtstraße 14  
36039 Fulda, Germany  
Postal address: 36035 Fulda, Germany  
Phone: +49 661 6003-0  
Fax: +49 661 6003-607  
E-mail: mail@jumo.net  
Internet: www.jumo.net

**JUMO Instrument Co. Ltd.**

JUMO House  
Temple Bank, Riverway  
Harlow, Essex CM20 2DY, UK  
Phone: +44 1279 635533  
Fax: +44 1279 635262  
E-mail: sales@jumo.co.uk  
Internet: www.jumo.co.uk

**JUMO Process Control, Inc.**

8 Technology Boulevard  
Canastota, NY 13032, USA  
Phone: 315-697-5866  
1-800-554-JUMO  
Fax: 315-697-5867  
E-mail: info@jumo.us  
Internet: www.jumo.us



## Stock items

Type	Brief description	Sales No.
202923/0010-1003-105-37-86-26	K = 0,1/ Pt100/G 3/4A	00303793

## Non-stock items

Type	Brief description	Sales No.
202923/0010-1003-106-37-86-26	K = 0,1/Pt100/G 1A	00089411
202923/0010-1003-105-17-86-26	K = 0,1/ Pt100/G 3/4A/5 m attached cable	00319402
202923/0010-1003-106-17-86-26	K = 0,1/Pt100/G 1A/5 m attached cable	00402638
202923/0100-1003-105-37-86-84	K = 1,0/Pt100/G 3/4A	00437032
202923/0100-1003-106-37-86-84	K = 1,0/Pt100/G 1A	00409610
202923/0100-1003-687-17-86-84	K = 1,0/Pt100/stepped seat PVC/ 5 m attached cable	00437034

## Accessories

Brief description	Sales No.
for version with mit instrument connection	
Connecting cable 25 m (4-core + screen)	00303681
Connecting cable 50 m (4-core + screen)	00304181
for pluggable version	
PVC tee DN 25 (incl. union nut, O-ring, glued socket)	00437035
PVC tee DN 32 (incl. union nut, O-ring, glued socket)	00437037
PVC tee DN 40 (incl. union nut, O-ring, glued socket)	00437038