

# Analogue Panel Meters

Measurement and instrumentation

## LOGIC range

**LED  
synchronoscope**

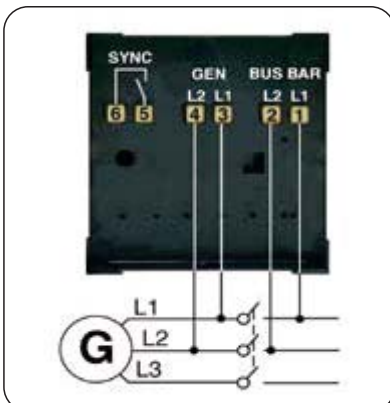


Accuracy class 3° ( $\Delta \phi = 0$ )  
 with 20° between LEDs for 360° display  
 and 5° between LEDs for display  $\pm 15^\circ$   
 around synchronization  
 Three phase network :  
 2-wire connection  
 Consumption :  
 Circuit reference 4 mA  
 Operating range : 0.8 Vn to 1.2 Vn  
 Overload capacity :  
 1.2 Vn permanent 2 Vn for 3 s  
 Synchronization relay :  
 NO: 250 V/50 Hz-6 A  
 Make time : 120 ms

360°

### Feasibility limits

Voltage  $100/\sqrt{3}$  to 400 V



Deflection

360°

Format

96 x 96

Frequency Voltage

2 wire 45-65 Hz	$\sqrt{3}$ V 100/	LS9N 401X
	100 V	LS9N 402X
	230 V	LS9N 403X
	400 V	LS9N 404X

